

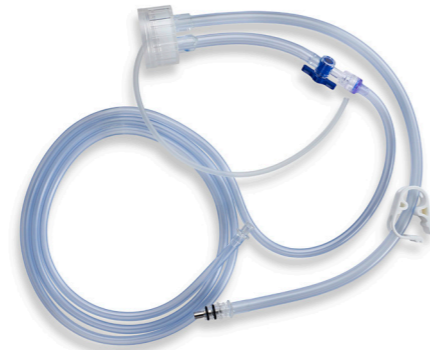
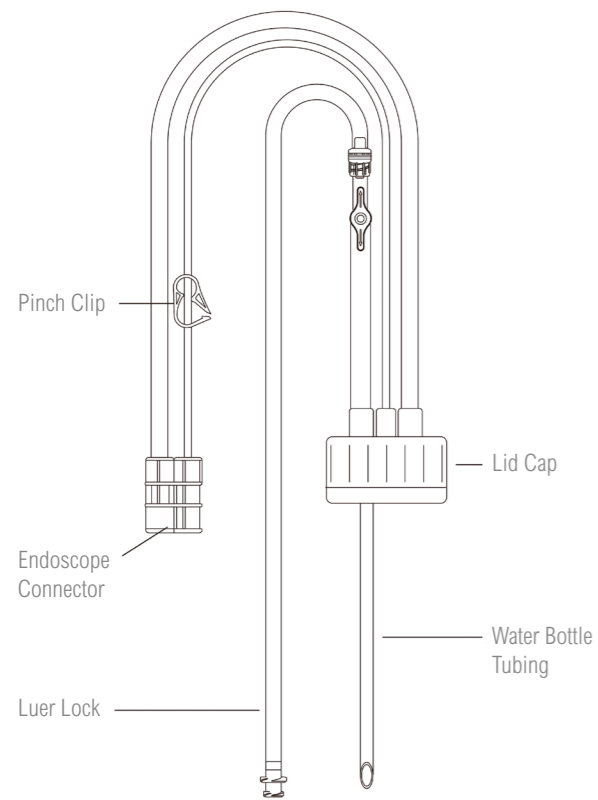


# DISPOSABLE ACCESSORIES FOR YOUR ENDOSCOPY SYSTEM

Designed to improve patient outcomes

## KEY SURGICAL TAILORED SOLUTIONS - OLYMPUS LOWER GI

Adequate distension of the GI lumen is required for safe advancement of endoscopes and for careful visualisation of the mucosa. To minimise post procedural abdominal distention, carbon dioxide (CO<sub>2</sub>) is often used as it is rapidly absorbed by the GI mucosa<sup>1</sup>. Key Surgical irrigation tubing and accessories are suitable for Olympus GI endoscopes series 140,160, 165, 180, 190, 240, 260 and 290.



**EN10921**  
Air/water bottle tubing with a CO<sub>2</sub> luer connector to facilitate connection to the CO<sub>2</sub> insufflator. 24-hour use and sterile.

### SIMPLE ENDOSCOPE SET-UP

Key Surgical portfolio offers an air/water water cap with a CO<sub>2</sub> luer connection (EN10921) and a CO<sub>2</sub> adapter for Olympus UCR insufflator (EN10919). Everything you need to improve patient outcome and cost per procedure by combining CO<sub>2</sub> insufflation and irrigation tubing in one system.



**EN10906**  
Jet channel connector designed to support all types of Upper and Lower GI endoscopes. Sterile and single-use.



We have a solution for every irrigation pump, suitable for all endoscope set-ups and brands:

- EN10905 Olympus AFU-100, OFP 1, ERBE EIP2 irrigation tubing
- EN10915 EndoGator EGP100 irrigator tubing
- EN10916 Olympus OFP 2, AquaMaster® irrigation tubing 24-hour use and sterile.



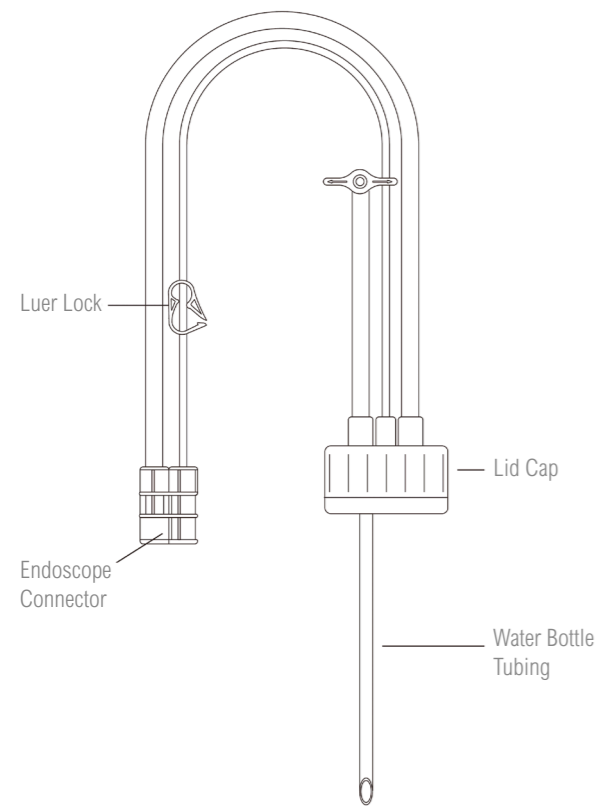
**EN10919**  
CO<sub>2</sub> adapter for Olympus UCR insufflator. Reusable.



1. ASGE TECHNOLOGY COMMITTEE. The use of carbon dioxide in gastrointestinal endoscopy. Volume 83, No. 5 : 2016 Page 857

## KEY SURGICAL TAILORED SOLUTIONS - OLYMPUS UPPER GI

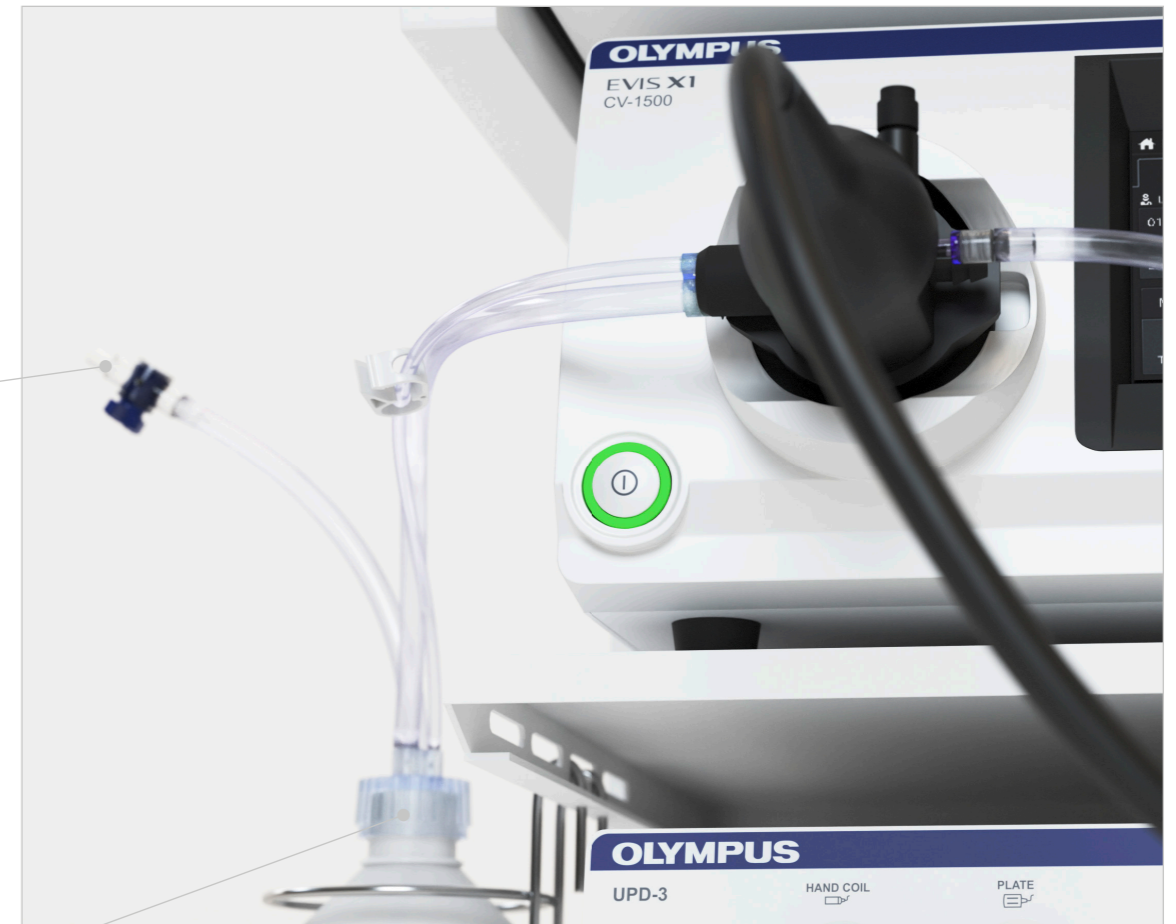
With patient safety and positive procedure outcomes at the forefront, having the highest quality products for endoscopic procedures is vital. Key Surgical portfolio offers sterile, disposable and ready-to-use accessories to improve patient outcomes, while increasing procedural efficiency.



EN10910 CO<sub>2</sub> tubing can be simply attached to the air/water bottle cap tubing EN10901, EN10902, EN10903 and EN10923 if an extension for CO<sub>2</sub> is required during a GI procedure. 24-hour use and sterile.



EN10901  
Air/water bottle tubing with a stopcock valve - ready for CO<sub>2</sub> access if required. 24-hour use and sterile.



EN10915  
We have suitable irrigation pump tubing for every customer endoscope set-up. 24-hour use and sterile. Product codes and details in above page.

### SUPPORTING EVERYDAY PROCEDURES

We know that when it comes to optical diagnosis and accurate results, it is important to have the right endoscopic equipment and support, this is the reason why our accessories have been designed to complement all endoscopic functions. Key Surgical aims to provide high-quality products to support visual precision and efficiency of endoscopic treatment.



## KEY SURGICAL TAILORED SOLUTIONS - PENTAX AND FUJIFILM

Key Surgical offers accessories that complement Pentax GI endoscopes set-up for Upper and Lower GI procedures. The range includes air/water cap tubing to endoscope auxiliary jet connector. Suitable for all Pentax 90/i10 GI endoscopes.



### SUPPORTING ALL ENDOSCOPE SET-UPS

Our air/water caps are designed to offer a suitable option for Upper and Lower GI procedures performed with Pentax and Fujifilm endoscopes. 24-hour use and sterile.



EN10902  
Pentax air/water cap with a side port to facilitate connection to the endoscopy system processor

### ACCESSORIES FOR ALL ENDOSCOPE SET-UPS

Key Surgical offers accessories that complement the Fujifilm endoscope set-up for Upper and Lower GI procedures. The range includes air/water cap tubing, CO<sub>2</sub> insufflator adapter and endoscope auxiliary jet connector. Suitable for all Fujifilm 500 /600 /700 GI endoscopes.



EN10908  
Fujifilm Jet channel connector. Sterile and single-use.



EN10907  
Pentax Jet channel connector. Sterile and single-use.



EN10919F  
CO<sub>2</sub> adapter for Fujifilm GW-100 CO<sub>2</sub> insufflator. Reusable.



EN10903  
Air/water cap tubing for Fujifilm 500/600 series endoscopes



EN10923  
Air/water cap tubing for Fujifilm 700 series endoscopes



EN10922  
Pentax air/water cap with side CO<sub>2</sub> luer connector. If CO<sub>2</sub> is required.

Key Surgical has been a leading provider for products and solutions for sterile processing and the operating theatre for over 30 years and we are thrilled to introduce our line of products designed to serve your needs in endoscopy. Please visit our website for more information on endoscope reprocessing, clinical application and endoscopy support accessories.

**Key Surgical GmbH**

Zum Windpark 1  
23738 Lensahn, Germany

+49 40 723 7470  
export@keysurgical.de  
keysurgical.de

